



PRO TOUCH

Touchscreen Thermostat

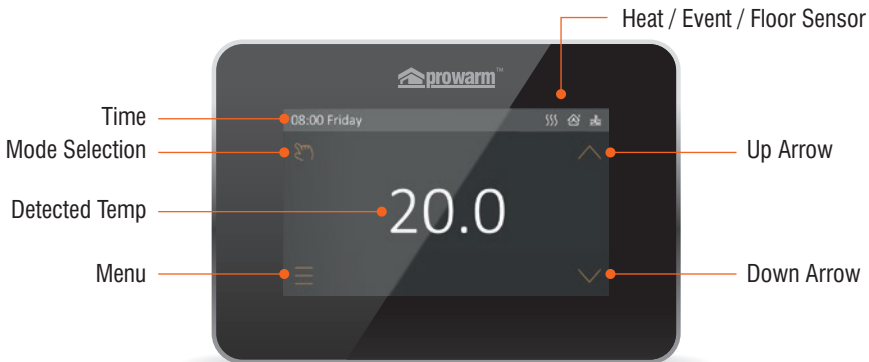


**INSTRUCTION MANUAL
& USER GUIDE**



PROTOUCH Touchscreen Thermostat

DISPLAY SYMBOLS



THERMOSTAT DESCRIPTION

The ProWarm Touchscreen thermostat can be used to control your electric floor heating system or water heating system. It will keep your home at a comfortable temperature whilst minimizing energy use.



MAIN FUNCTIONS

- ✓ Auto mode
- ✓ Hold mode
- ✓ Holiday mode
- ✓ Frost Mode
- ✓ Floor temperature limit
- ✓ Open window detection function
- ✓ Key-lock
- ✓ Sensor selection
- ✓ Brightness
- ✓ Adaptive function

THERMOSTAT DESCRIPTION

TECHNICAL SPECIFICATION

Supply voltage: 220-240Vac 50/60Hz

Max load: 16A

Standby power: < 2W IP rating: IP20

Max wire diameter: $\leq 2.5\text{mm}^2$

INSTALLATION AND WIRING INSTRUCTIONS



Step 1

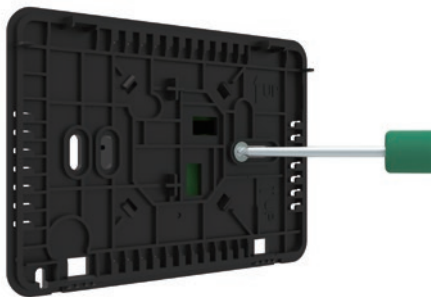
Separate the panel from the back section: insert a screwdriver into the two holes under the thermostat and pry it in the same direction as the arrow in the picture. It will click and separate from the back plate.



Step 2

Connect the wires as shown in the wiring instruction.

NOTE: Thermostat should be mounted in a 35mm deep single gang back box



Step 3

Fix the back section to the single gang electrical back box with the screws provided



Step 4

Re-install front panel whilst ensuring the pins engage properly in the circuit board socket.



FUNCTION & USER OPERATION

On/Off

Press the button on the right hand side of the thermostat to turn it on or off.

Note: When frost mode is active, the thermostat will maintain the frost mode temperature when the power is off.

Temporarily override temperature

Press  or  to temporarily increase or decrease the current temperature. If in AUTO the thermostat will revert to the automatic schedule at the start-time of the next event.

Mode selection

On the Home Screen, press the key in the Top left hand corner to select the MODE you require.

There are 3 modes:

 **Auto mode:** This is the default mode. The Thermostat will run a set schedule, this can be adjusted to suit your needs in the **Edit Setting** section.

Steps:

Press Auto Mode to confirm and this will revert to the home screen.

 **Manual mode:** Thermostat will run with the set temperature continuously until changed.

Steps:

Press Manual Mode to enter temperature setting.

Press  or  to set the temperature.

Press  to confirm and this will revert to the home screen.

 **Holiday mode:** Thermostat will run with the set temperature until the holiday time ends.

Steps:

Press Holiday Mode to enter holiday setting.

Press  or  to set the days of holiday.

Press  to confirm and enter holiday temperature setting.

Press  or  to set the temperature.

Press  to confirm and this will revert back to the home screen.

MENU



On the Home Screen, press the  key to enter the Menu. There are 5 parameter settings.

1. Time

The day and clock are set here.

Steps:

Press Time to enter day setting.

Press the day you want to enter hour setting. Press  or  to set hour

Press  to confirm and enter minute setting. Press  or  to set minute.

Press  to confirm and back to Menu. Press  to back to the home screen.


2. Key lock

Lock all keys to prevent the settings from being changed.

Lock Steps:

Press Key Lock to enter key lock setting.

Press  or  to select lock.

Press  to confirm and to go back to the home screen.

Unlock steps:

On the home screen, press any key then  (in the bottom right corner) will flash 3 times.


Press and hold  for 3 seconds to unlock.

3. Brightness

This option allows you to change the brightness of the display

Steps:

Press **Brightness** to enter brightness setting.

Press  to move up/down or touch any part of the line to set the brightness.

Press  to confirm and back to Menu.

4. Edit setting

Edit setting can set and change the heating schedule. This only works in AUTO mode, not in Holiday Mode or Hold Mode. The thermostat runs according to the parameters set within Edit.

Should you wish a time period to turn 'ON' set a warm temperature, should you wish the heating to go 'OFF' set a low temperature. For example, wake could be set to 25degrees C and Leave (to go off) could be set to 16degrees C.

Steps:

Press **Edit Setting** to enter days selection. Press the day/s you want to set.

Press  to confirm.

Press on the time period you want to set and enter the start time hour setting.

Press  or  to set start time hour. Press  to confirm and enter the start time minute setting.

Press  or  to set start time minutes. Press  to confirm and enter temperature setting.

Press  or  to set temperature. Press  to confirm and to go back to the time periods..

Press  to back to the home screen.

Period parameter table (Default)

Day	Wake	Leave	Return	Sleep
Mon - Fri	07:00 22°C	08:30 19°C	17:00 22°C	22:00 19°C
Sat - Sun	08:00 22°C	08:30 22°C	17:00 22°C	22:00 19°C

5. Advanced Settings

The thermostat provides advanced settings to suit various special situations. These are normally set by technicians during initial installation.

Steps:

- Press Advanced Setting to enter the page of warning.
- Press ✓ to enter advanced settings.
- Press ✓ or ^ to switch feature number.
- Press the feature to change its parameters.

ADVANCED SETTING

- 1. Room Temperature calibration:** Calibrate the temperature detected by room sensor.
- 2. Floor Temperature calibration:** Calibrate the temperature detected by floor sensor.
- 3&4. Frost mode function:** If frost mode is on this will protect the property or room from frost.
- 5. Floor temperature limit:** When choose both sensors, you can set the maximum floor temperature value, system will stop heating if the floor temperature exceed this value.



No.	Name	Default value	Ranges
1	Room Temperature Calibration	0°C	-5°C -- 5°C
2	Floor Temperature Calibration	0°C	-5°C -- 5°C
3	Frost mode	ON	ON/OFF
4	Frost mode Temperature	5°C	5°C -- 15°C
5	Floor Temperature Limit	30°C	20°C -- 50°C
6	Switching Differential	1°C	0.5°C/1°C/2°C/3°C
7	Temperature Unit	°C	°C/°F
8	Sensor Selection	Floor	Room/Floor/Both
9	Schedule	5+1+1	5+1+1/7
10	Output Delay	0 Sec	0S/30S/60S/90S
11	Adaptive Function	OFF	ON/OFF
12	Open Window	OFF	ON/OFF
13	Power Set	0 W	0W -- 3600W
14	Energy Use		
15	Factory Reset	NO	NO/YES

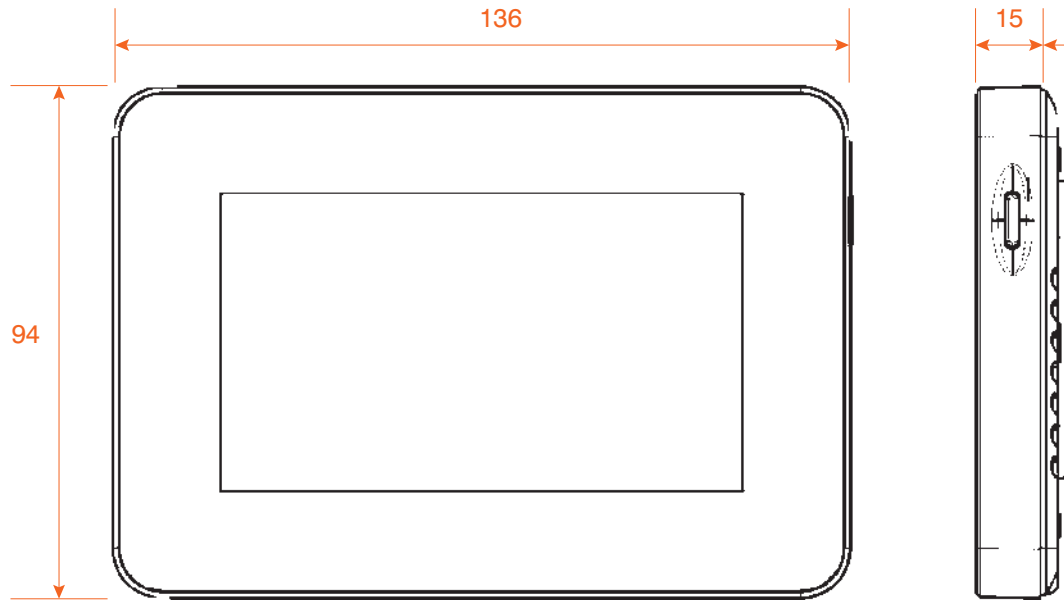
6. **Switching Differential:** The number of degrees the temperature has to change before the unit switches on/off. The default is 1 degree so if the temperature is set to 21 degrees the thermostat will switch on at 20.5 degrees and off at 21.5 degrees. 0.5 degrees either side of 21.
7. **Temp unit:** °F and °C can be selected.
8. **Sensor selection**
 - Room sensor:** Run by room sensor. **Floor sensor:** Run by floor sensor.
 - Both sensors:** Run by room sensor with floor temp limit.
9. **Schedule:** Select a weekly schedule for the event.
 - 7: each day from Mon to Sun can be set individually.
 - 5+1+1: Mon to Fri have the same events, Sat and Sun can be set individually.
10. **Output delay:** This option help you avoid inadvertent operation on heating.
11. **Adaptive function:** After several days of installation and use, Adaptive function ensures that the required temp has already been reached when the next event begins.
12. **Open window:** This function only works when room sensor or both sensors is selected. The thermostat with this function will shut off automatically for 15 min when the window opens, as it can detect that the room temp plummets.
- 13&14. **Energy use:** This option allows you to enter the various data used to calculate energy use.
15. **Factory Reset:** All parameters are restored to default values.

TROUBLESHOOTING

Room Sensor Error! : Built-in sensor short-circuit or disconnected.

Floor Sensor Error! : Floor sensor short-circuit or disconnected.

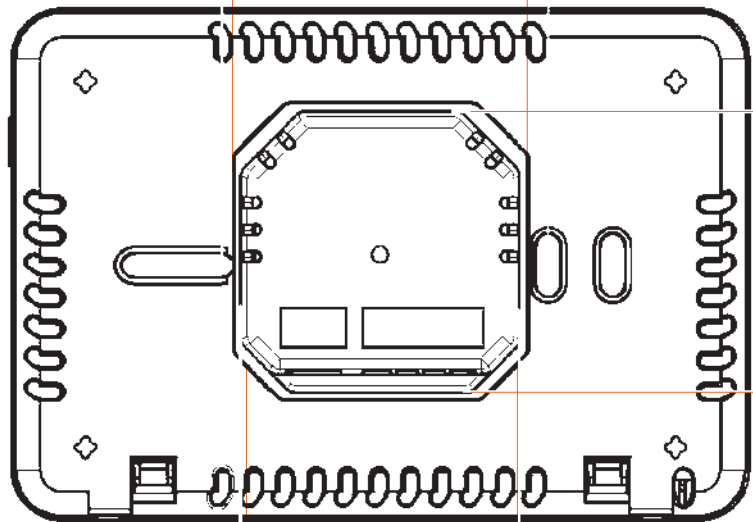
DIMENSIONS (mm)





26

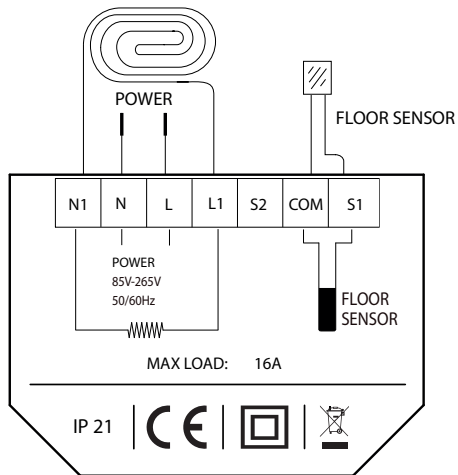
60



52

52

WIRING INSTRUCTIONS



Suggestion: Please keep the max load around 90% of 16A to prolong the lifetime.

Ensure power is disconnected when wiring!



PROTOUCH
Touchscreen Thermostat



Support: ☎ **01268 567019**

www.prowarm.com